



UNDERGROUND WATERPROOFING SOLUTIONS

Bituminous, self-adhesive and liquid solutions
for optimal protection against groundwater



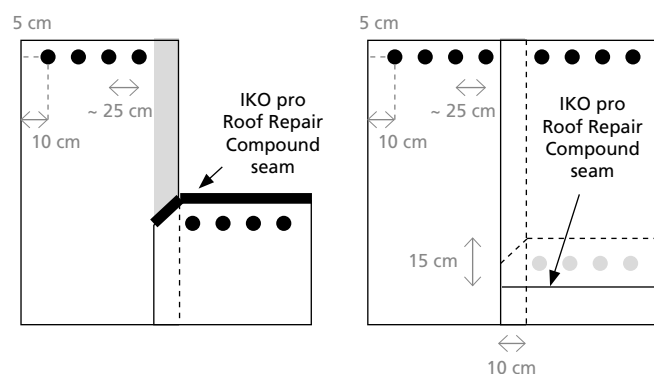


Torch-applied bituminous membranes for optimal protection against groundwater

Buildings must withstand all kinds of weather conditions and are literally **in permanent contact with groundwater through their foundations**. Therefore, it is essential to protect structures against infiltration at the base of cavity walls. Our **high-quality bituminous waterproofing membranes** guarantee reliable and durable protection and have been specifically designed to meet this challenge.

Products

Article number	Description	Length (m)	Bitumineuze coating	Certificate
01520321	IKO roofgarden 4 APP AD/F	7,5 m	APP	ATG 3097 + root-resistant
01516831	IKO powergum 4 T/F	7,5 m	APP	ATG 1337
01514575	IKO gum 4500 T/F	7,5 m	APP	
01564125	IKO roofgarden 4 SBS AD/F	7,5 m	SBS	ATG 3215 + root-resistant
01564109	IKO powerflex 4 AD/F	7,5 m	SBS	ATG 1631
01554121	IKO base P3 SBS T/F	8 m	SBS	
01553031	IKO radon barrier T/F	10 m	SBS	Radon



Accessories

Article number	Description	Packaging
02401185	IKO pro Quick Primer Spray	500 l
02401140	IKO pro Quick Primer Metal can	1 l
02401150	IKO pro Quick Primer Metal can	5 l
02401661	IKO pro Roof Repair Compound Cartridge	310 ml
02401510	IKO pro Roof Repair Compound Metal Can	5 kg





Self-adhesive membranes for underground waterproofing

The **IKO Hydro Barrier Stick membranes** provide perfect protection against groundwater for **basements and foundations**, thanks to the reinforced cross-laminated HDPE film finish. The membrane is extremely easy to apply using the **IKO pro Activator**, which ensures excellent adhesion.

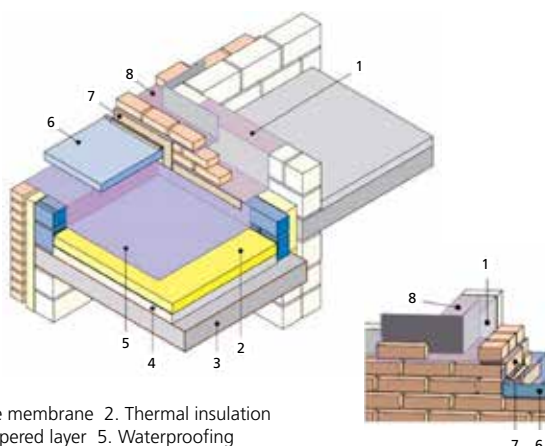
Products			
Article No.	Description	Length	Certificate
01530100	IKO Hydro Barrier stick	20 m	Radon

Accessories		
Article No.	Description	Packaging
02402230	IKO pro Activator Spray	750 ml
30474490	IKO pro Activator Metal can	5 l



Bituminous strips against rising damp

The **IKO Hydro Barrier strips** are ideally suited for waterproofing walls and are available in various widths for **easy installation**. The strips have a length of 20 m and are available in the pre-cut widths listed below.



1. Cavity drainage membrane
2. Thermal insulation
3. Structure
4. Tapered layer
5. Waterproofing membrane
6. Coping stone
7. Metal layer
8. Additional strip of cavity drainage membrane

Source: WTCB, TV244

Products		
Article No.	Description	Width
01591170	IKO Hydro Barrier Strip	0.70 m
01591160	IKO Hydro Barrier Strip	0.60 m
01591155	IKO Hydro Barrier Strip	0.55 m
01591150	IKO Hydro Barrier Strip	0.50 m
01591145	IKO Hydro Barrier Strip	0.45 m
01591140	IKO Hydro Barrier Strip	0.40 m
01591136	IKO Hydro Barrier Strip	0.36 m
01591130	IKO Hydro Barrier Strip	0.30 m
01591128	IKO Hydro Barrier Strip	0.28 m
01591120	IKO Hydro Barrier Strip	0.20 m
01591119	IKO Hydro Barrier Strip	0.19 m
01591118	IKO Hydro Barrier Strip	0.18 m
01591115	IKO Hydro Barrier Strip	0.15 m
01591114	IKO Hydro Barrier Strip	0.14 m
01591110	IKO Hydro Barrier Strip	0.10 m
01591109	IKO Hydro Barrier Strip	0.09 m



Liquid solutions for underground waterproofing

As a waterproofing specialist, IKO produces two types of liquid-applied waterproofing systems used to ensure long-lasting waterproofing of the connection between the bitumen membrane and the rising masonry.

IKO hybritech Detail is a one-component, solvent-free, isocyanate-free and odour-neutral coating.

IKO metatech Detail is a fast-curing two-component coating.

IKO also offers **IKO pro Structural Waterproofing** for waterproofing the entire rising masonry. This coating combines the advantages of a polymer-modified thick coating (PBMC) with those of a flexible mineral sealing slurry (MDS)..



Liquid waterproofing at the junction between bitumen membrane and masonry

Article No.	Description	Type systeem	Certificate
02415101	IKO hybritech Detail 1L	1K Hybrid Polymers	ETA 22/0466 (min. service life 25 years)
02415105	IKO hybritech Detail 6,5 kg	1K Hybrid Polymers	ETA 22/0466 (min. service life 25 years)
02412405	IKO metatech Detail 7030 5 kg	2 K PMMA	ETA 22/0466 (min. service life 25 years)
02412410	IKO metatech Detail 7030 10 kg	2 K PMMA	ETA 22/0466 (min. service life 25 years)

Waterproofing of underground structures in contact with soil

Article No.	Description	Type system	Application
	IKO pro Structural Waterproofing	2 K PBMC - MDS	Vertical and horizontal application



ROOFING | WATERPROOFING | INSULATION

IKO nv - d'Herbouvillekaai 80 - 2020 Antwerp - Belgium - +32 3 248 30 00 - be.iko.com